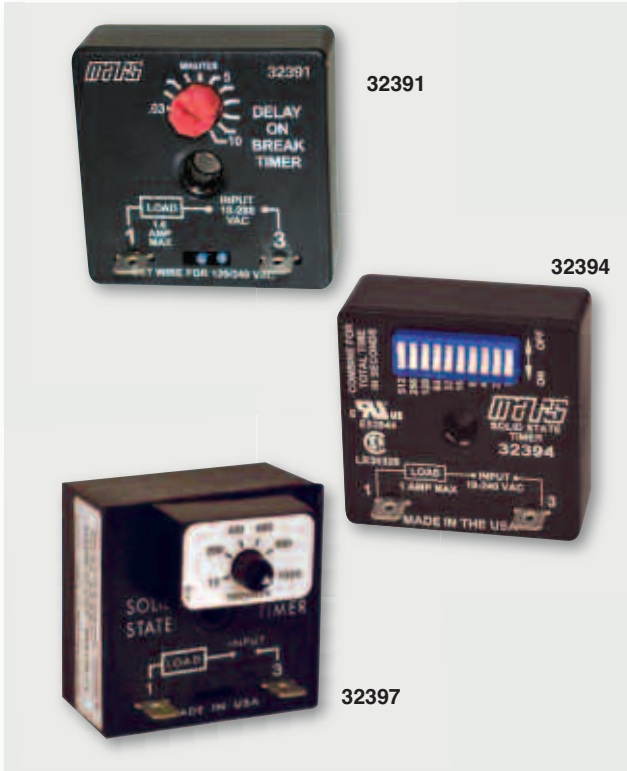


# MARS Solid State Timers

MARS SERIES **325**



## MARS Solid State Timers Delay On Make

The MARS 32391 is the top-selling timer in the industry. Its reliability has been proven in the field by knowledgeable contractors.

The MARS 32391 will **not** be fooled by **the thermostat** anticipator.

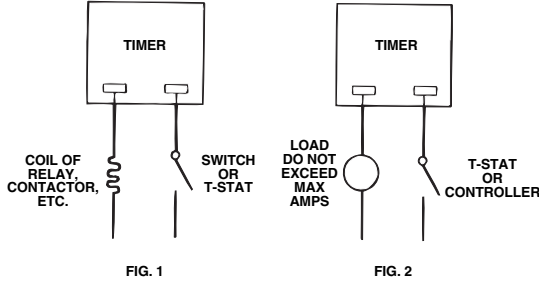
Heavy duty MARS timers are offered for higher current applications.

### Features:

- Easy two-wire installation
- Proven reliability, all solid state
- .25 in. quick connect terminals
- Mounts in any position
- Compact size
- High accuracy
- Totally enclosed and encapsulated for proper heat dissipation

### Specifications:

- .040 amps min. latch current



MARS NO.	TYPE DELAY	TIME DELAY RANGE	TYPE OF ADJUSTMENT	INPUT VOLTAGE	HZ	MAX AMPS.	VOLTAGE DROP	CONNECTION DIAGRAM
32391	on make	6 sec...8 min.	dial	19...240VAC	50/60	1	2.5 at 1 amp.	1
32394	on make	1 sec...1023 sec.	slide switch adjustable in 1 second increments.	19...144VAC	50/60	1	2.5 at 1 amp.	1
32396	on make	1 sec...1023 sec.	slide switch adjustable in 1 second increments.	80...240VAC	50/60	1	2.5 at 1 amp.	1

### Heavy Duty

32397	on make	10...1000 sec.	dial	24 VAC	50/60	6	2 at 6 amp.	1 or 2
32398	on make	10...1000 sec.	dial	120 VAC	50/60	10	2.1 at 10 amp.	1 or 2
32399	on make	10...1000 sec.	dial	230 VAC	50/60	10	5 at 10 amp.	1 or 2



# MARS Solid State Timers

MARS SERIES **325**

COMPONENT

## MARS Solid State Timers Delay On Break

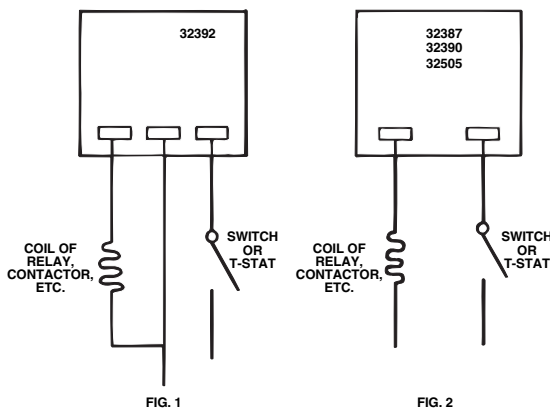
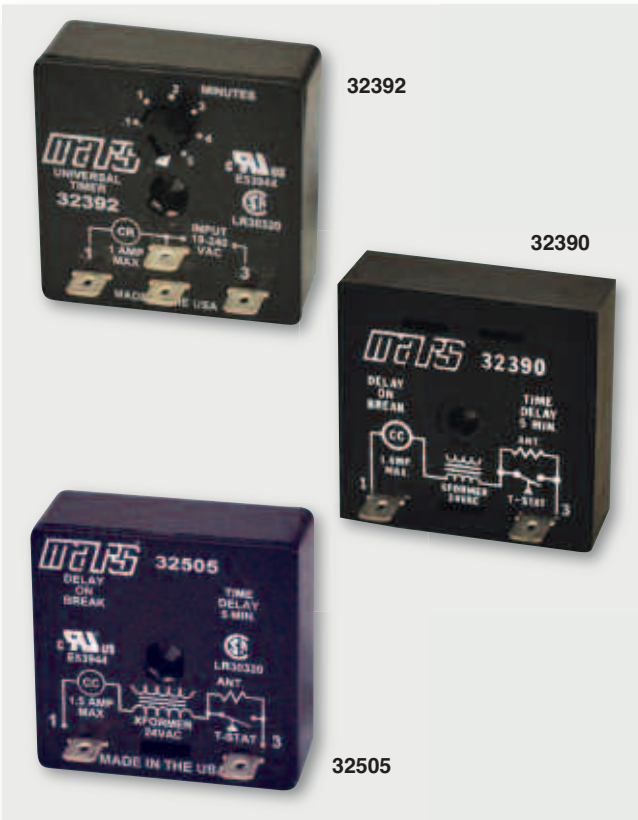
MARS solid state delay on break timers are designed to prevent short cycling of air conditioning, refrigeration and heat pump compressors. Upon application of power the load is energized. When the thermostat opens, or if there is a momentary loss of power, the load is de-energized and the delay period begins. The compressor will not start again during the delay period.

MARS number 32392 is a versatile three wire timer that features adjustable timing and can be used with any voltage from 19 thru 240 VAC, 50 or 60 Hz. MARS 32387 features easy to install two wire connection. Model 32387 incorporates circuitry to allow continuous current flow through the thermostat anticipator. Ideal for heat pumps.

The MARS 32390 and the new 32505 are the most simple and economic ways to stop short cycling on 24 VAC controlled systems. Both devices are fixed 5 minute delay on break timers.

### Features:

- 1 to 3 second random re-start
- Models for two-wire or three-wire connection
- 32387 for use with anticipator thermostats
- Dial adjustable
- Compact size
- Mounts in any position
- .25 in. quick connect terminals
- Proven reliability
- MARS delay-on-break timers are not load sensitive
- MARS 32505 features two wire leads



### Adjustable

MARS NO.	TYPE DELAY	TIME DELAY RANGE	TYPE OF ADJUSTMENT	INPUT VOLTAGE	HZ	MAX AMPS.	VOLTAGE DROP	CONNECTION DIAGRAM
32392	on break	6 sec...5 min.	dial	19...240 VAC	50/60	1	2.5 at 1 amp.	1
32387	on break	120...300 sec.	dial	24 VAC	50/60	1	3 at 1 amp.	2

### Fixed Delay

32390	on break	5 min.	none	24 VAC	50/60	1	2.5 at 1 amp.	2
32505	on break	5 min.	none	20-30 VAC	50/60	1	3 at 1 amp.	2



# MARS Solid State Devices

MARS SERIES **325**

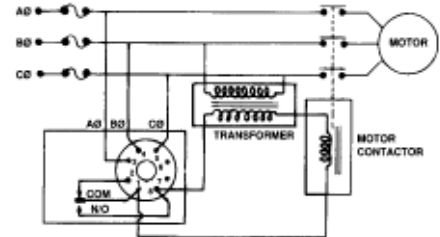


32532

## MARS Phase Reversal Protector

### Features:

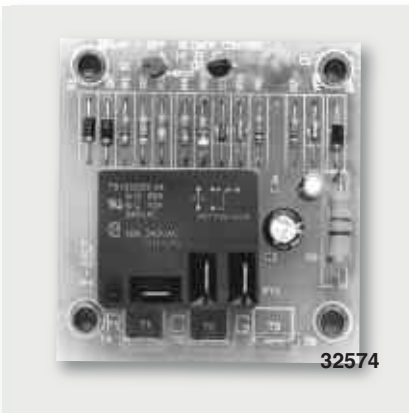
- Disconnects the motor pilot circuit on loss of one or more phases or when the voltage imbalance between any of the two phases exceeds 7%
- Re-energizes the pilot circuit only when all 3 phases are present and the voltage imbalance is less than 7%
- 208-277VAC, 50-60Hz
- Contact Rating: NO/NC (type "C") 5A/240V, 10A/120V
- 1/4" male spade terminals
- Compact design: 2.35" x 2.425" x 1.1"



## Phase Reversal Protector

MARS NO.	NOMINAL VOLTAGE	INPUT VOLTAGE	SPDT RELAY CONTACTS AMP RATING
32532	240 VAC	175-255 VAC	10 amps res.
32534	480 VAC	380-500 VAC	8 amps res
93057*	8 Pin Octal Base, 35mm Din Rail or Surface Mount		

\* Base not included



32574

## Fan Time Delay Module

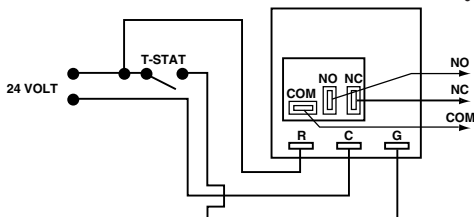
The MAHBC fan time delay module is a replacement for the direct motor control used by leading OEMs in high efficiency residential central air conditioning systems. The purpose of the control is to keep the blower motor running for 60 seconds after the thermostat has been satisfied. The result is an increase in residual cooling from the indoor coil without running the condensing unit, and thus, higher energy efficiency.

The MAHBC is ideal for retrofit where improved efficiency is desirable.

### Features:

- Wide ambient temperature operating range -40°F to 175°F
- 1/4" male quick connect terminals
- Easy surface mount with four #6 screws
- UL and CSA recognized

Wiring Diagram



### Cross Reference

OEM	PART NO.
BARD	8201-056
RHEEM	42-22515-01
SNYDER GENERAL	0001395336

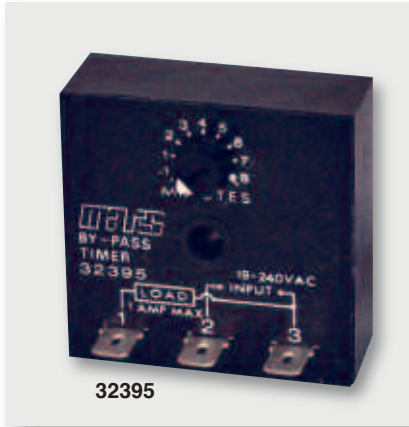
MARS NO.	MARS MODEL	VOLTAGE	OUTPUT		TIME DELAY	ACTION
			120V	240V		
32574	MAHBC	24VAC	1 HP	2 HP	60 SEC.	SPDT



# MARS Solid State Timers

MARS SERIES **325**

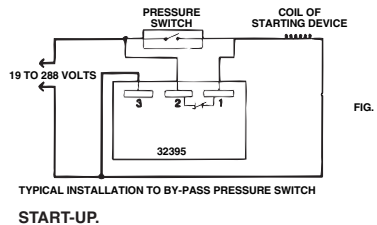
COMPONENT



## MARS Bypass Timer

MARS 32395 is an adjustable, multi-voltage bypass timer that allows the temporary bypass of a control or device during start-up. At the end of the delay period the control is returned to the circuit.

Eliminate nuisance trips!



Low pressure switch bypass application.

FIGURE 1  
LOAD IS BYPASSED ON RETURNS TO CIRCUIT AFTER DELAY PERIOD.

MARS NO.	TYPE DELAY	TIME DELAY RANGE	TYPE OF ADJUSTMENT	INPUT VOLTAGE	HZ	MAX AMPS.	VOLTAGE DROP	CONNECTION DIAGRAM
32395	by-pass	6 sec...8 min.	dial	19...240VAC	50/60	1	2 at 1 amp.	1



## Compressor Anti-Short Cycle Timer with Low Voltage Brownout Protection

Delay on break.

OEM replacement timers for Lennox, Rheem, Ruud, Trane, Heil Quaker, Keep Rite, Mc Quay, Snyder General and others.

### Features:

- Lockout delay prevents rapid cycling compensated resistor type wall thermostats
- Single hole mounting (.25 inch diameter)
- Non-positional
- Brownout protection prevents startup when voltage is below normal conditions
- Reduces nuisance service calls due to short cycling
- Delay on Break Lockout delay starts with opening of thermostat or loss of power
- .25 in. quick-connect terminals
- Eliminates relay chatter due to thermostat bounce
- Small size 2.00 x 2.00 x .75 in.
- UL and CSA listings available

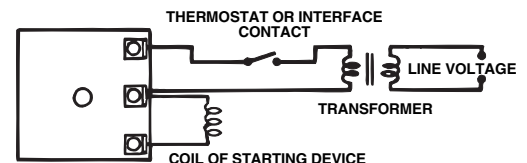
### Operation:

On initial closure of the thermostat, the compressor relay energizes immediately. When the thermostat opens, a lockout condition and a time delay is initiated. During this lockout time delay period, the compressor cannot be energized.

Brownout protection prevents energizing of the compressor when the line voltage is below normal conditions.

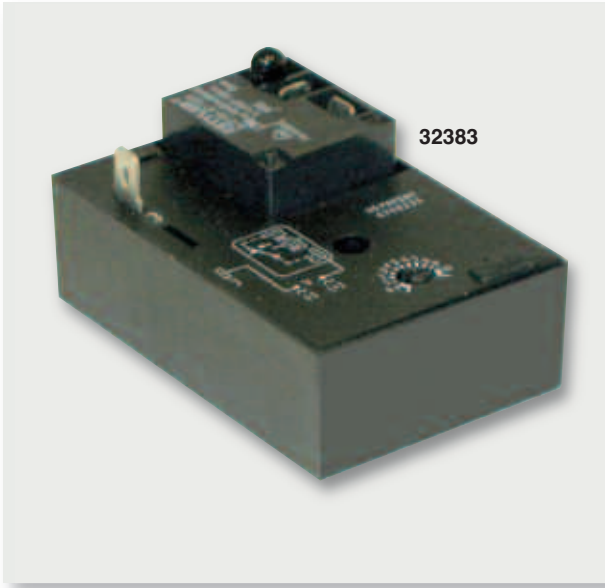
### With Integral Brownout Protection

MARS NO.	MODEL NO.	OPERATING VOLTAGE (NOMINAL)	TIME DELAY (MIN.) ± 2%	MAX AMPS
32381	TA24A3	24 VAC	3	1.5
32382	TA24A5	24 VAC	5	1.5



# MARS Solid State Timers

MARS SERIES **325**



## MARS High Power Delay-On-Make Time Delay Relay

The MARS 32383 delay timer relay is a combination of electromechanical relay & digital solid state circuitry. The high rating of the output contacts allows for direct operation of heavy loads such as compressors, pumps, blower motors, heaters, etc.

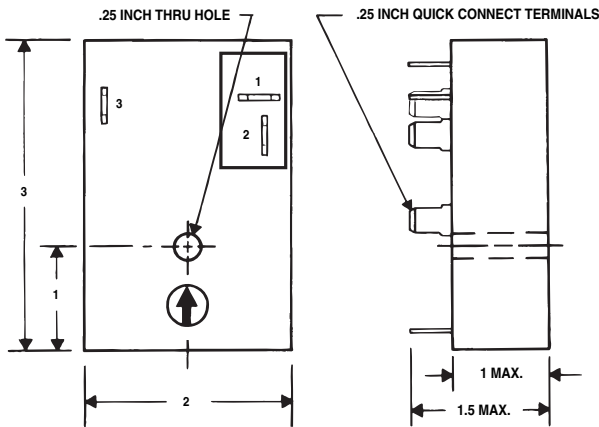
### Features:

- Solid state circuitry with relay contacts
- Encapsulated digital circuitry
- Use for OEM or general replacement
- Knob adjustable from 0.1 to 10 mins.

### Specifications:

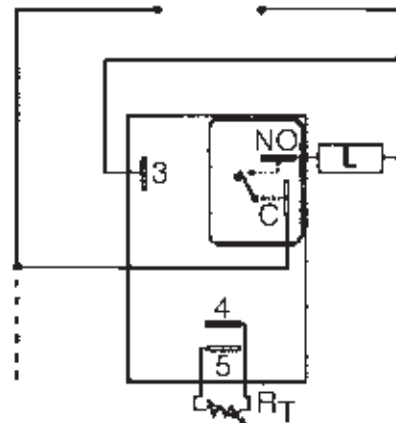
- 15 amps resistive SPST relay contacts
- 120 VAC operating voltage
- 50/60 hertz
- Operating temp: -20° to 60° C
- Repeat accuracy: ± 0.5%
- UL & CSA

### Mechanical:



NOTE: All dimensions in inches.

### Wiring:



MARS NO.	TYPE DELAY	TIME DELAY RANGE	TYPE OF ADJUSTMENT	INPUT VOLT	SWITCH	MAX AMPS
32383	Delay-On-Make	0.1 to 10 min	DIAL	120	SPDT	15 Resistive, 1 HP DP:15 FLA, 90 LRA @ 125VAC